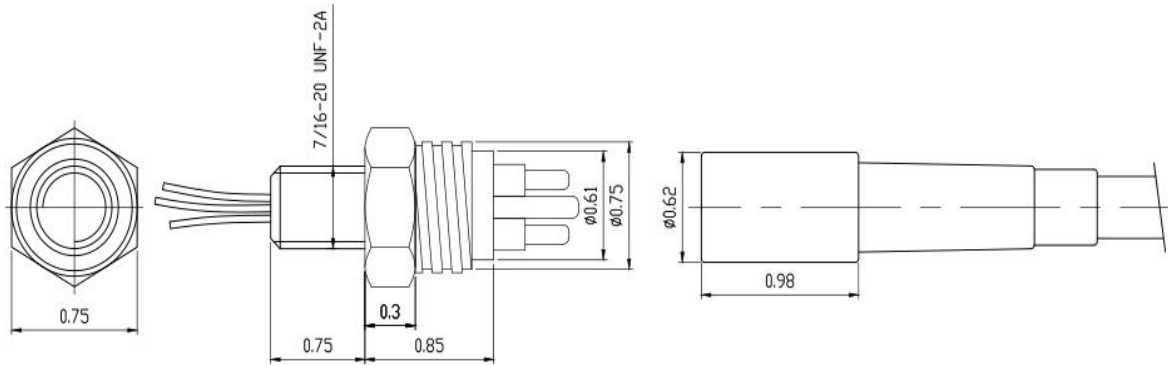


## Underwater Connector

MCBH-M (2-8 contacts )

MCIL-F (2-8 contacts )



### Product technical characteristics

1. Small size, light weight, small footprint, no internal skeleton, imported special resin filling, tail blind end design, high compressive strength, better reliability.
2. According to the US military standard MIL-24217-A "submarine deep water connector" requirements, combined with the characteristics of the same type of connector design at home and abroad, Full 3D computer-aided simulation, mapping, precision carving and milling center processing, high precision, good consistency.
3. High-resistant seawater corrosion stainless steel shell material, beautiful and practical.
4. Standard pin and hole distribution, 7/16 "-20 UNF tail thread, and imported brands of the same model interchangeable products.
5. Using aviation-grade silver-plated copper high temperature resistance, smaller impedance, can be a larger current.
6. Using Parker imported O-ring, with the same type of foreign products compression seal the same margin and life expectancy.
7. Gold plated pins refer to the US military standard MIL-T-45204 overall gold-plated, gold content above 99.7%, the contact resistance is small, the connection is more reliable.
8. Aerospace standard crimping process, to eliminate manual welding defects, wiring consistency, product reliability.
9. Pressure seawater-resistant cable, KEVLAR filled, imported polyether material package plug, good tensile strength, more reliable performance.
10. Flexible delivery cycle is short, and not subject to technology blockade, custom design according to customer requirements.

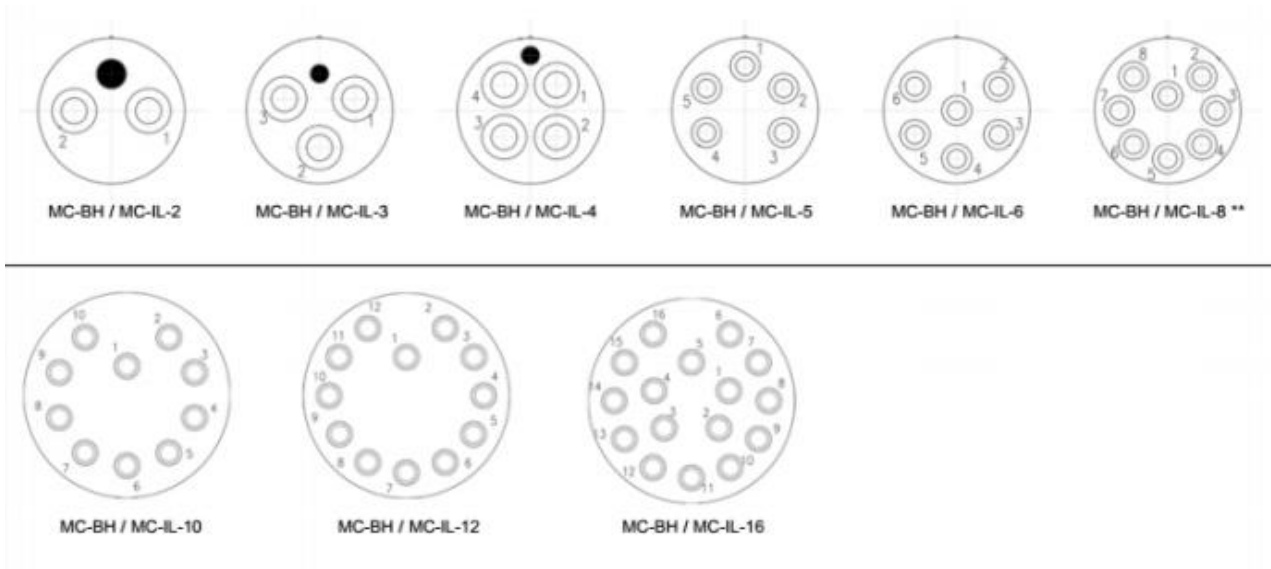
This series of products consists of 2-8 pin miniature watertight plug-in modules, including bulkhead Connector MCBH - \* - M / F; In-Line Connector MCIL - \* - M / F; and MCDLS-F Locking Sleeve customer cable can be customized package adapter

Specifications listed	Similar type product
MCBH-2-M Bulkhead Connector - 2 Pin Male	MCBH-2- F    MCBH-3-M/F    MCBH-4-M/F MCBH-5-M/F    MCBH-6-M/F    MCBH-8-M/F
MCIL-2-M In-Line Connector - 8 Pin Male	MCIL-2- F    MCIL-3-M/F    MCIL-4-M/F MCIL-5-M/F    MCIL-6-M/F    MCIL-8-M/F
MCDLS-F Locking Sleeve	Universal mode

## Technical data

Bulkhead Body	SS316L
Molded Body	Neoprene
Contacts	Brass Gold -plated
O-ring	Parker 2-014 $\Phi 12.42 \times 1.78$
Locking sleeve	Belrin (POM)
Guid Pins	SS304 2pins $\Phi 3.2\text{mm}$ ; 3/4pins $\Phi 2.0\text{mm}$
Thread	7/16-20 UNF -2A
Depth rating	4000m
Rated voltage	300VDC
Rated Current	5-10A
Air mate	> 1000
Underwater Mate	> 500
Operating temperature	-4-60 $^{\circ}\text{C}$

## Contact configuration



1. Always apply grease before mating
2. Pull out, pull straight out, do not twist around
3. Do not pull on the cable and avoid sharp bends at cable entry
4. When using a bulkhead connector, ensure that there are no angular loads
5. All kinds of connectors should not be exposed to extended periods of heat or direct sunlight

## Greasing and mating above water (dry mate)

1. Connectors must be greased with Molykote 44 Medium (recommended brand) before every mating
2. A layer of grease corresponding to minimum 1/3 of socket depth should be applied to the female connector
3. The inner edge of all sockets should be completely covered, and a thin transparent layer of grease left visible on the face of the connector
4. After greasing, fully mate the male and female connector in order to secure optimal distribution of grease on pins and in sockets
5. To confirm that grease has been sufficiently applied, de-mate and check for grease on every male pin. Then re-mate the connector

## Product show

